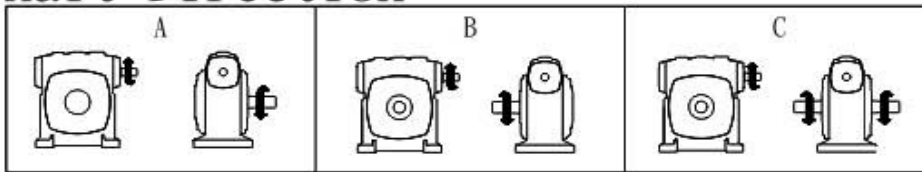


Shaft Direction

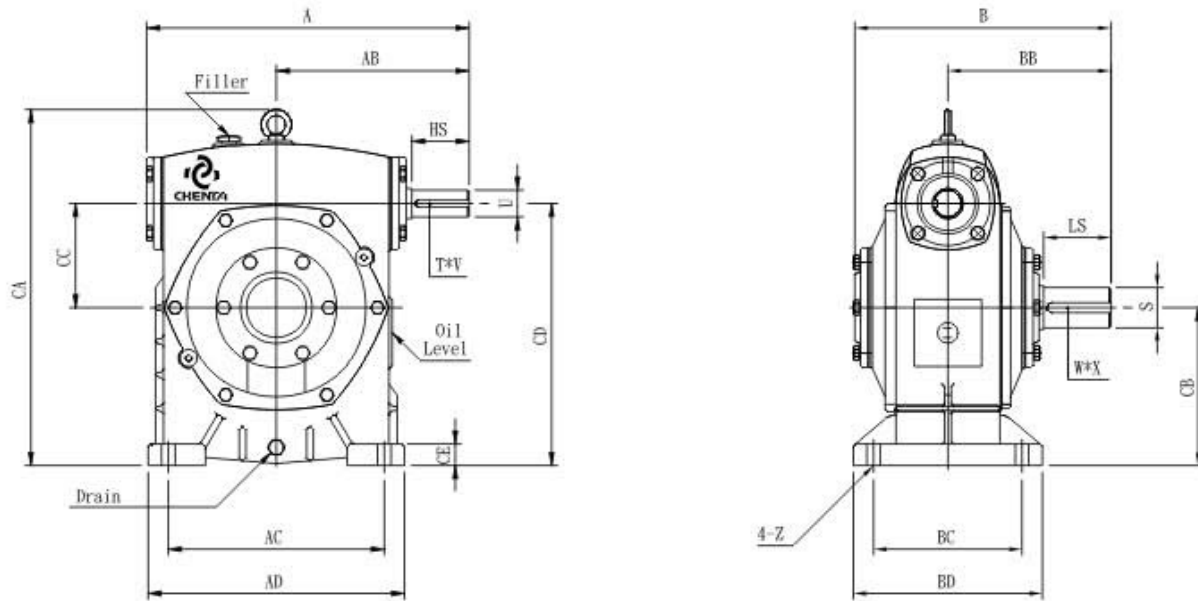


Unit:mm

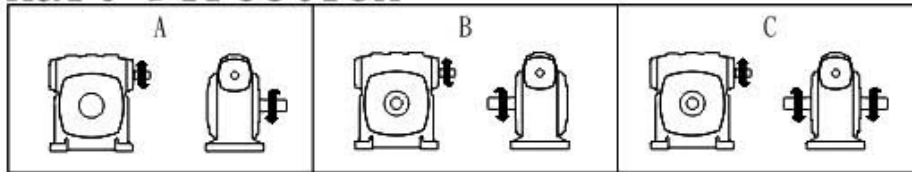
Size	Ratio	A	AB	AC	AD	B	BB	BC	BD	CA	CB	CC	CD	CE	Z
50	1/10	181	107	110	140	147	95	95	120	175	80	50	130	15	11
60	1/15	204	124	120	150	168	110	105	130	200	90	60	150	18	11
70	1/20	235	140	150	190	196	130	115	150	235	105	70	175	20	15
80	1/30	265	160	180	220	216	140	135	170	260	120	80	200	20	15
100	1/40	328	192	220	270	262	170	155	190	359	150	100	250	25	15
120	1/50	389	230	260	320	288	190	180	230	425	180	120	300	30	18
135	1/60	435	260	290	350	320	210	200	250	478	215	135	350	30	18

Size	Input Shaft			Output Shaft			Ojm (l)	Weight (kg)
	HS	U	T * V	LS	S	W * X		
50	30	12	4 * 2.5	40	17	5 * 3	0.4	6.5
60	40	15	5 * 3	50	22	7 * 4	0.5	8.5
70	40	18	5 * 3	60	28	7 * 4	0.8	14
80	50	22	7 * 4	65	32	10 * 4.5	1.2	19
100	50	25	7 * 4	75	38	10 * 4.5	2.2	38
120	65	30	7 * 4	85	45	12 * 4.5	4.2	64
135	75	35	10 * 4.5	95	55	15 * 5	6	85





Shaft Direction



Unit:mm

Size	Ratio	A	AB	AC	AD	B	BB	BC	BD	CA	CB	CC	CD	CE	Z
155	1/10	479	286	320	380	381	242	220	280	536	235	155	390	32	20
	1/15														
175	1/20	517	308	350	410	381	248	250	310	587	260	175	435	35	20
	1/30														
	1/60														

Size	Input Shaft			Output Shaft			Ojm (l)	Weight (kg)
	HS	U	T * V	LS	S	W * X		
155	85	40	10 * 4.5	100	60	15 * 5	7.4	115
175	85	45	12 * 4.5	110	65	18 * 6	11.5	160